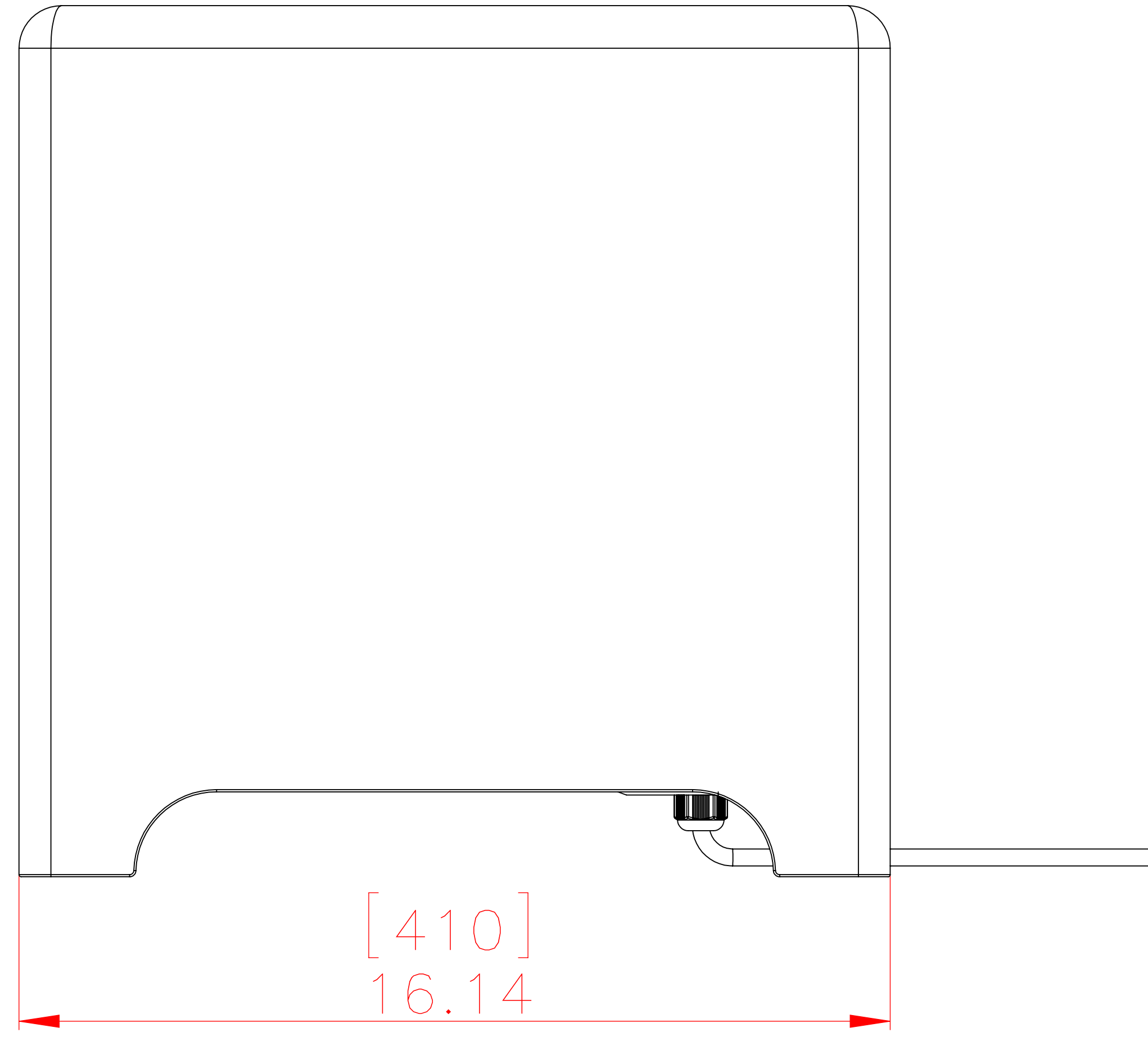
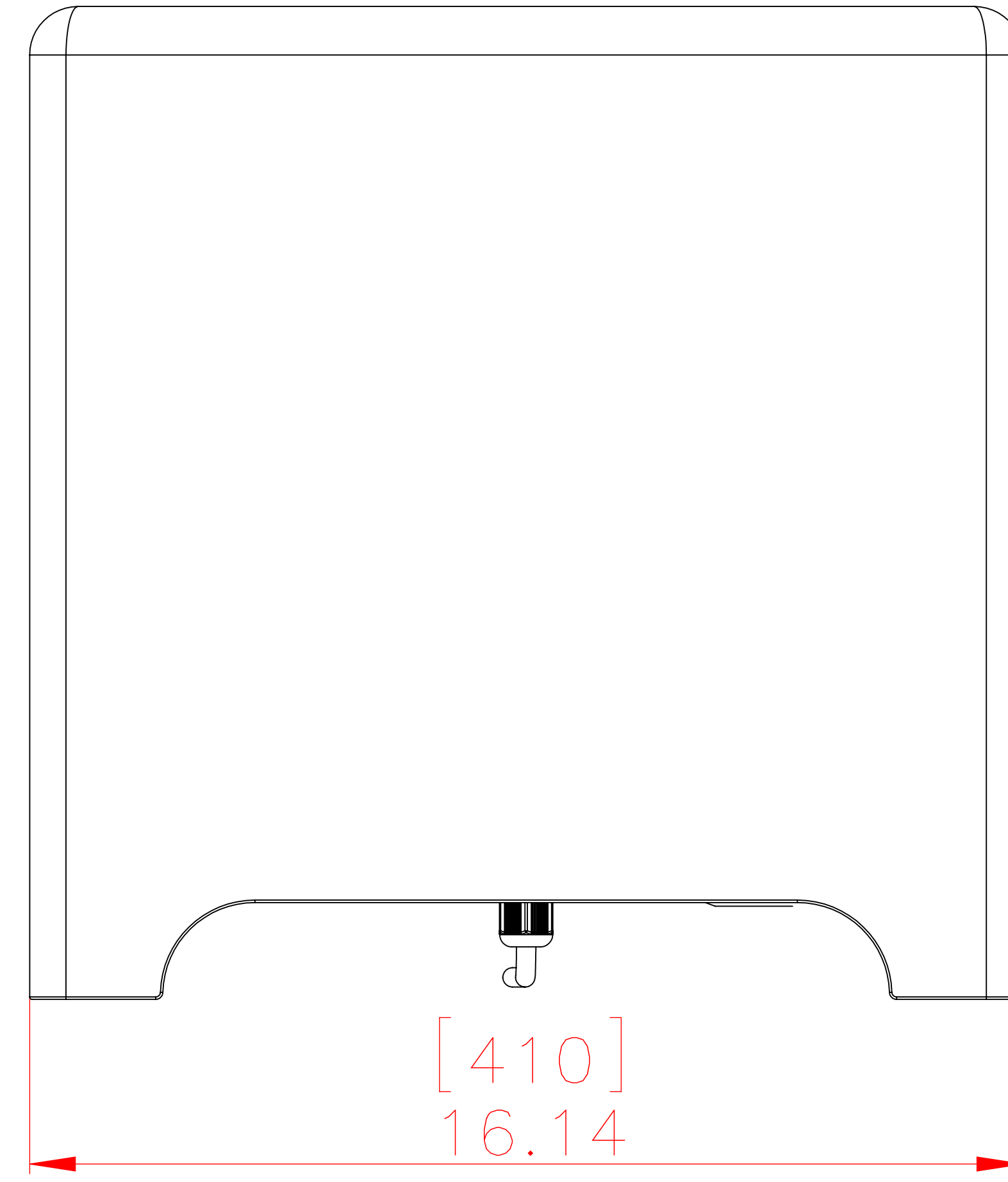


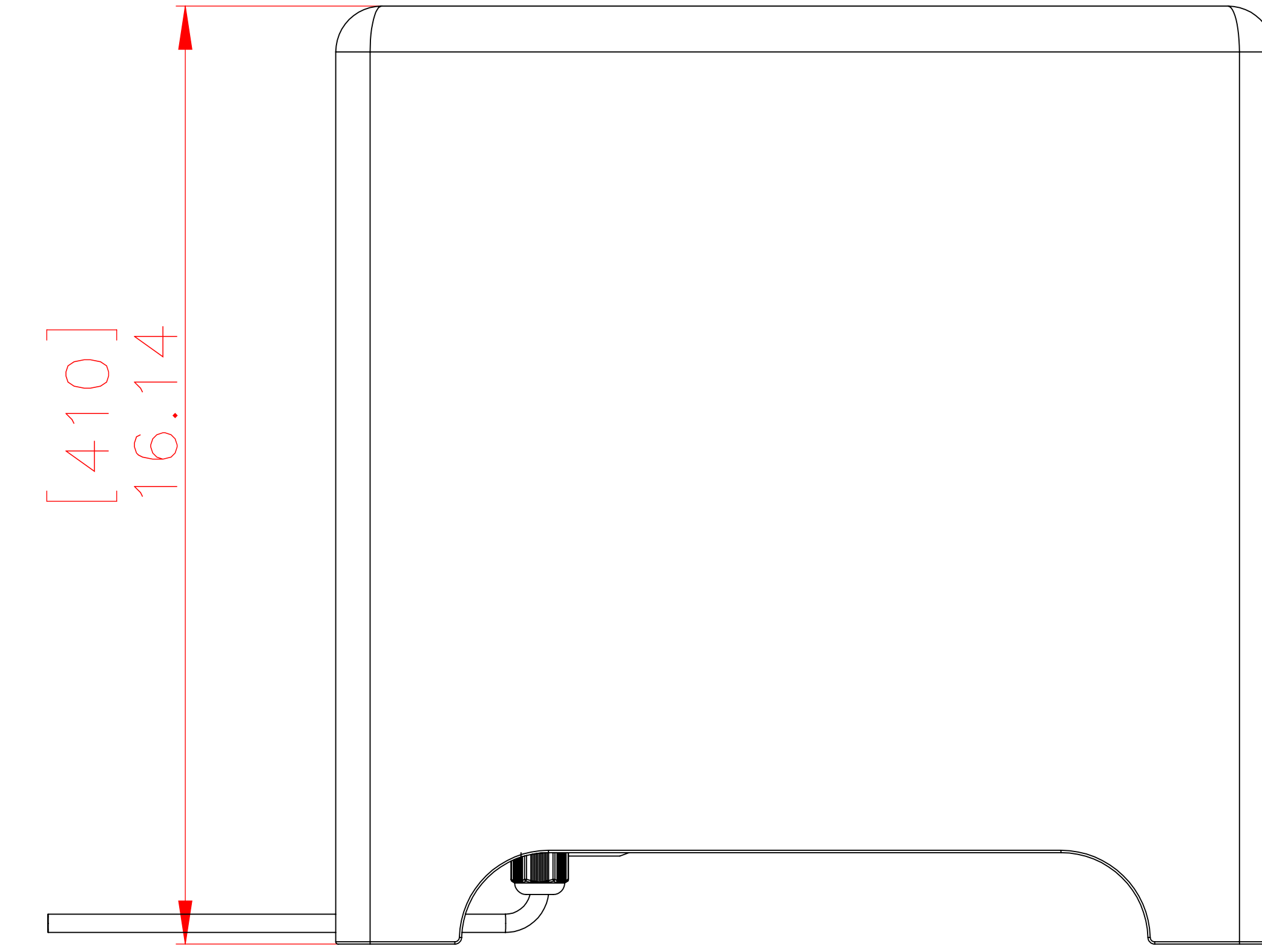
FRONT



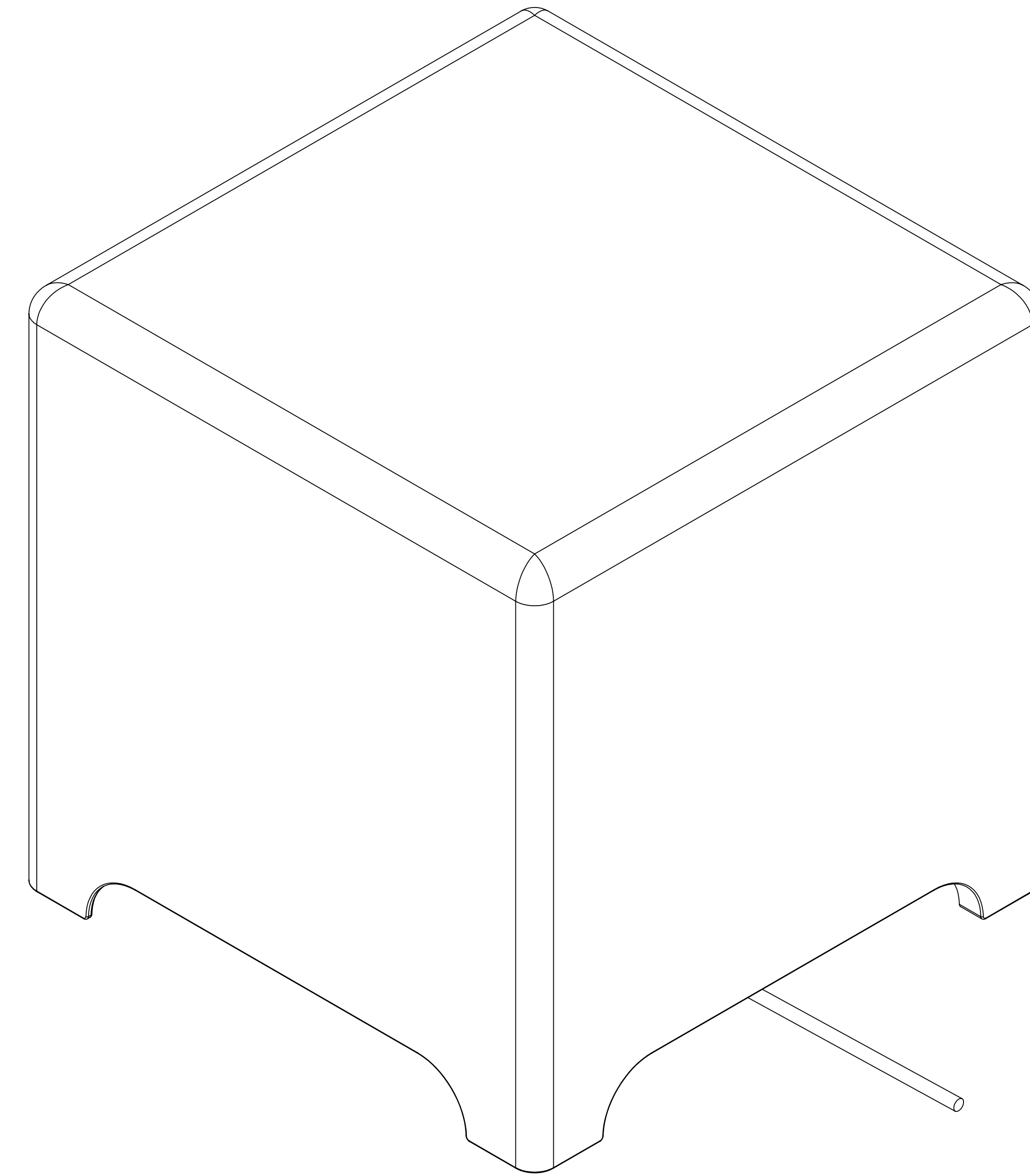
LEFT



BACK



ISOMETRIC



SONANCE  
 991 Calle Amanecer, San Clemente, CA, 92673  
 949 492-7777 FAX 949 361-5579  
 www.sonance.com

HS12T SUB

SCALE: 1 : 3  
SHEET: 01 OF

DRAWN BY:  
RELEASED (IN):

DRWN - PART NUMBER

REV.